

REVISIONS			
ECN	REV.	DESCRIPTION	DATE
	A	Initial Release	2008/11/18

SPECIFICATION

INPUT POWER:
 +24VDC nominal, range: 18 to 30VDC 0.2A DC Total Max.
 ~24VAC nominal, range: 15 to 24VAC 50/60HZ 0.2A AC Total Max.

FUSE:
 F2 on Power Supply Board; 1A Very Fast-Acting Fuse
 Littelfuse; Axial Lead and Cartridge Fuse
 Part Number: 02510001

POWER SWITCH:
 Slide Switch on Power Supply Board (SW1)

FLOW RATE: 0-1 LPM

FLOWMETER ACCURACY: 5% of Full Scale

MAX. PRESSURE: 850 mbar

MAX. VACUUM: -480 mbar

INLET AND OUTLET FITTING: Suitable for 1/4" OD Tube

PUMP CONTROL: +5V Applied to RS-485 A & RS-485 B to Disable Pump

ENCLOSURE:
 IP 66 & NEMA 4, 4X, 12 & 13
 UL listed 508 listed (File # E65324)N-m)

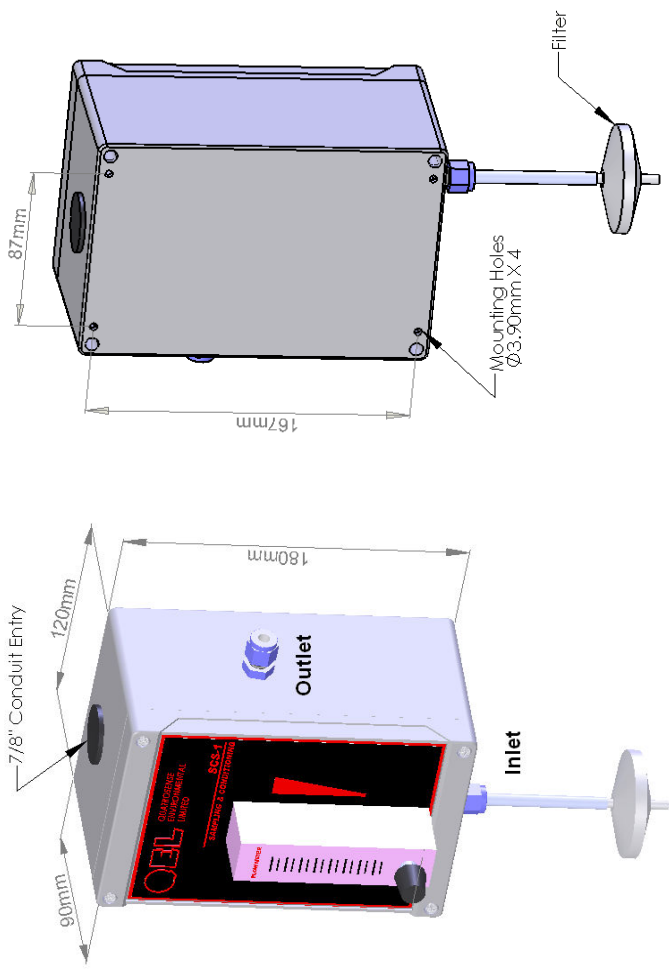
OPERATING TEMPERATURE: 10 °C TO 50 °C

AMBIENT HUMIDITY:
 95% RH for temperatures up to 31 °C (NON-CONDENSING)
 Decreasing linearly to 80% at 40 °C

STORAGE TEMPERATURE: 0 °C TO 70 °C

SIZE: 180mm X 120mm X 90mm

WEIGHT: LESS THAN 1.5lbs (0.680kg)

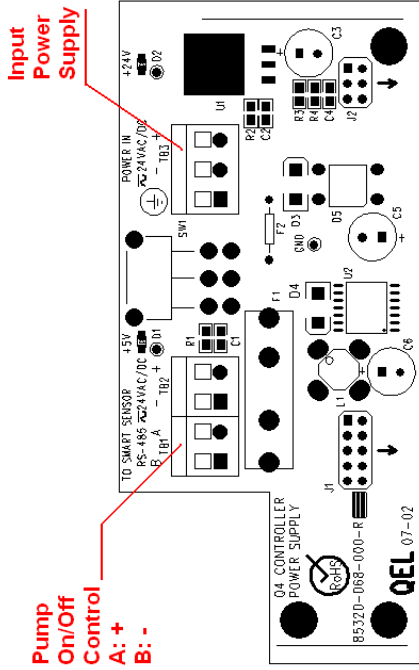


PROPRIETARY AND CONFIDENTIAL
 THE INFORMATION CONTAINED IN THIS DRAWING IS THE SOLE PROPERTY OF QUATTROSENSE ENVIRONMENTAL LTD. ANY REPRODUCTION IN PART OR AS A WHOLE WITHOUT THE WRITTEN PERMISSION OF QUATTROSENSE ENVIRONMENTAL LTD. IS PROHIBITED.

UNLESS OTHERWISE SPECIFIED:		NAME	DATE
DIMENSIONS ARE IN INCHES	DRAWN	XY	2008/11/18
TOLERANCES:	CHECKED	XY	2008/11/18
FRACTIONS: 1/32	ENG APPR:	XY	2008/11/18
ANGULAR:	MFG APPR:		
MACH: ±.5 DECIMALS BEND ±	Q. A.		
TWO PLACE DECIMAL ±.02	COMMENTS:		
THREE PLACE DECIMAL ±.010			
INTERPRET GEOMETRIC TOLERANCING PER:			
	MATERIAL		
	FINISH		
	USED ON		
	NET ASSY		
	APPLICATION		
	DO NOT SCALE DRAWING		

Quattrosense Environmental Ltd	
TITLE:	SCS-1
INSTALLATION DRAWING	
SIZE	DWG. NO.
B	85850-002-000
SCALE: 1:2	WEIGHT:
SHEET 1 OF 2	

SCS-1 Power Supply Board Connection



Pump On/Off Control
A: +
B: -

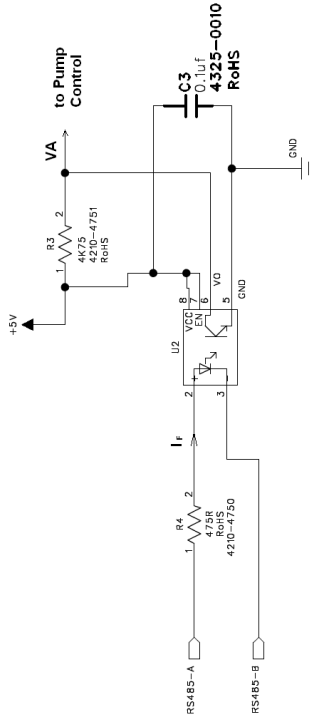
Input Power Supply

NOTE:

- The SCS-1 operates on 24VAC 50/60HZ or 24VDC. There are no selections required by the user to select the input power. The input power is connected to the Power Supply Board using the Terminal Block TB3 located inside the unit.
- The power supply for smart sensor is outputted from the TB2 on the Power Supply Board. It's useless for SCS-1 application. Keep TB2 floating.
- The SCS-1 must be grounded by connecting a true earth-ground to the ground terminal.
- SCS-1 does not support RS-485 Communication.
- TB1 label is redefined as below:
 - RS-485 A : Pump Enable +
 - RS-485 B : Pump Enable -

REVISIONS		DATE	APPROVED
ZONE	REV.	DESCRIPTION	See Sheet1
-	-	-	-

SCS-1 Pump Control Schematic



- When +5VDC is applied to RS-485 A and RS-485 B, VA is low, Pump is Disabled
- When +0VDC is applied to RS-485 A and RS-485 B, VA is high, Pump is Enabled and Keep Running
- When RS-485 A and RS-485 B are floating or open, VA is high, Pump is Enabled and Keep Running

Other voltage can be applied to RS-484 A and RS-485 B. Make sure the Current IF not more than 10mA. When the IF between 5mA to 10mA, Pump is Disabled. When the IF is 0mA, Pump is Enabled.

UNLESS OTHERWISE SPECIFIED:		NAME	DATE	Quattrosense Environmental Ltd	
DIMENSIONS ARE IN INCHES		XY	2008/11/18		
TOLERANCES:		DRAWN	XY	TITLE: SCS-1	
FRACTIONAL: ±		CHECKED	XY	INSTALLATION DRAWING	
ANGULAR: MACH: ±		ENG APPR:	XY	SIZE DWG. NO. B	
HOLE POSITION: ±		MGF APPR:		85850-002-000	
THREE PLACE DECIMAL: ±		Q. A.		REV A	
INTERPRET GEOMETRIC TOLERANCING PER:		COMMENTS:			
MATERIAL:					
FINISH:					
USED ON:					
APPLICATION:		DO NOT SCALE DRAWING			
NEXT ASSY:		SCALE: 1:2			
SHEET 2 OF 2					

PROPRIETARY AND CONFIDENTIAL
 THE INFORMATION CONTAINED IN THIS DRAWING IS THE PROPERTY OF QUATTROSENSE ENVIRONMENTAL LTD. ANY REPRODUCTION IN PART OR AS A WHOLE WITHOUT THE WRITTEN PERMISSION OF QUATTROSENSE ENVIRONMENTAL LTD. IS PROHIBITED.